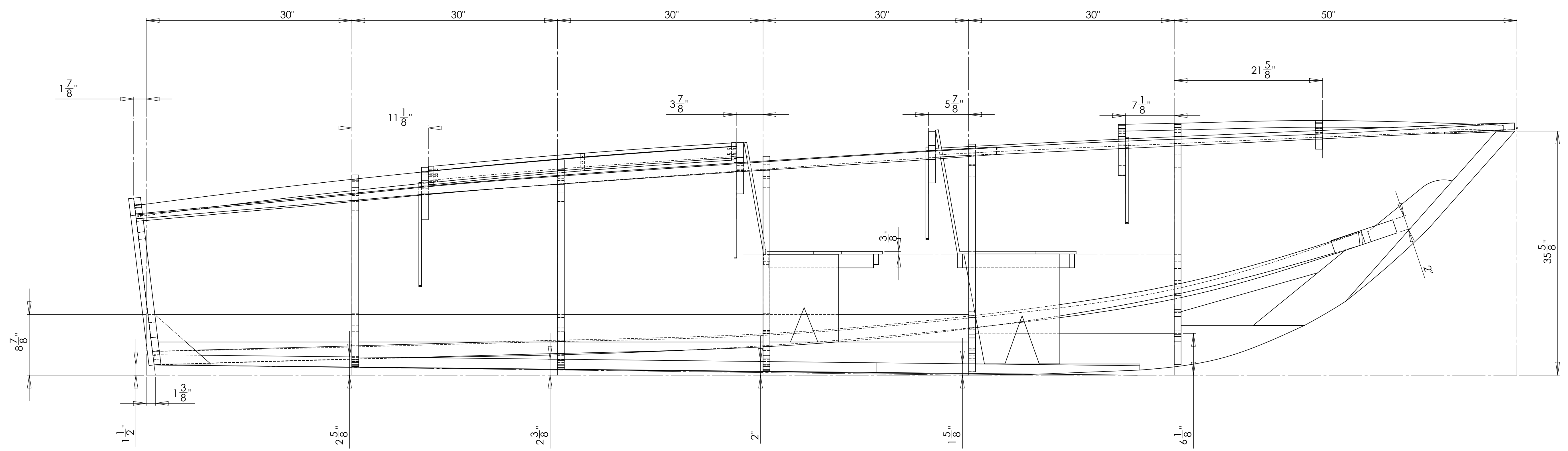
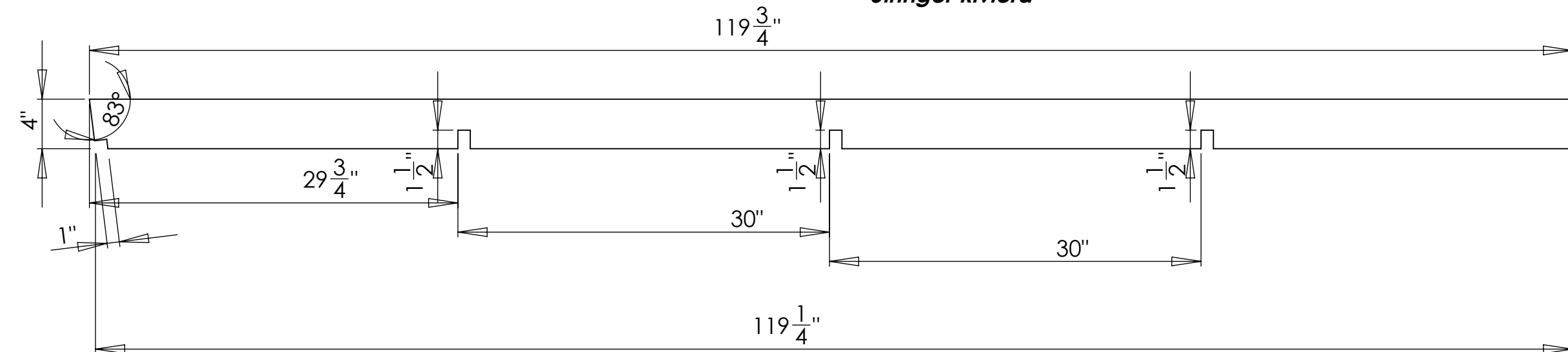
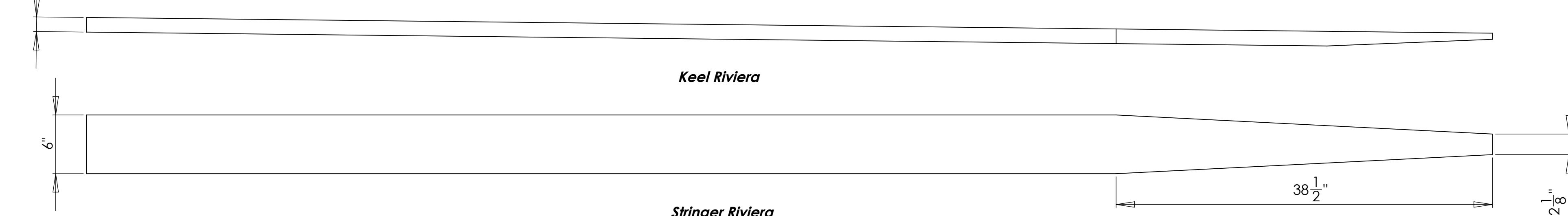
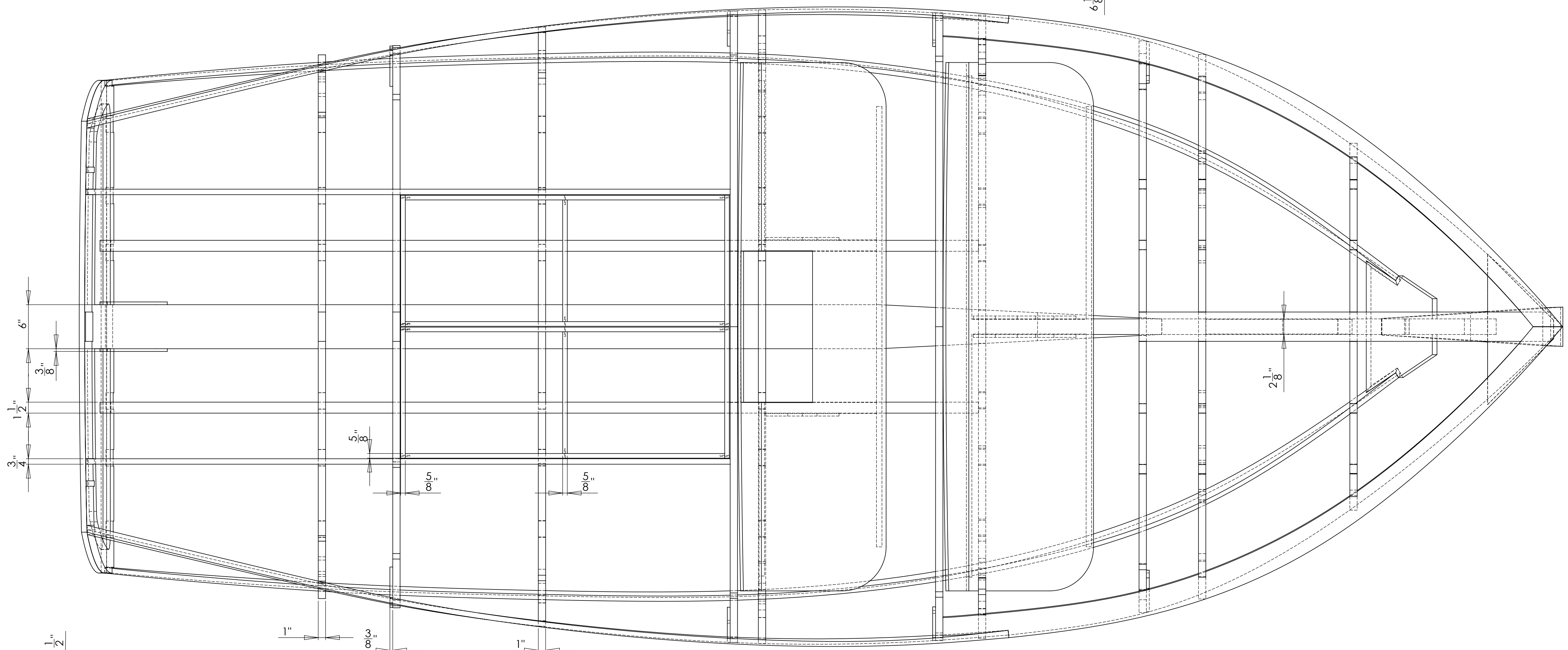
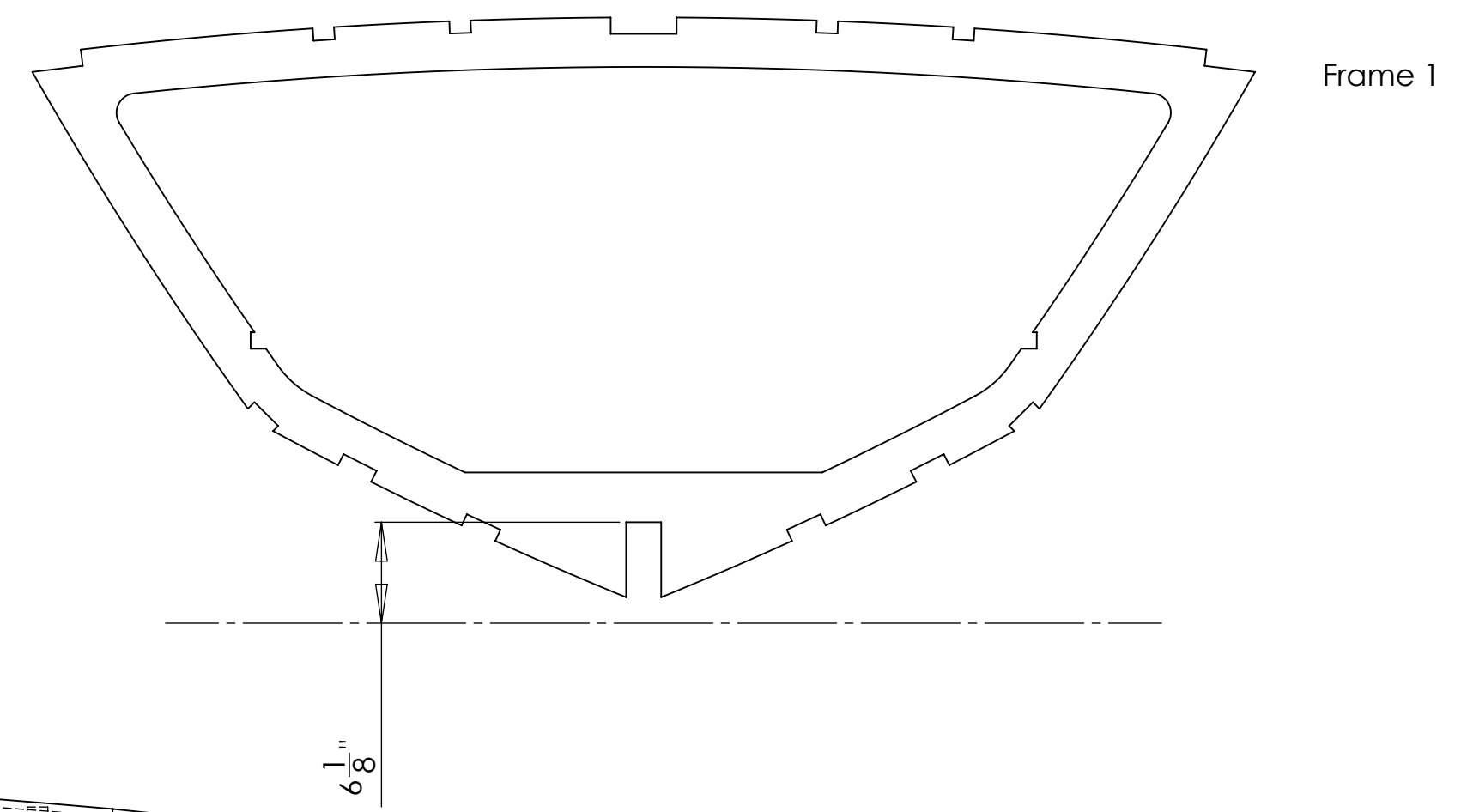


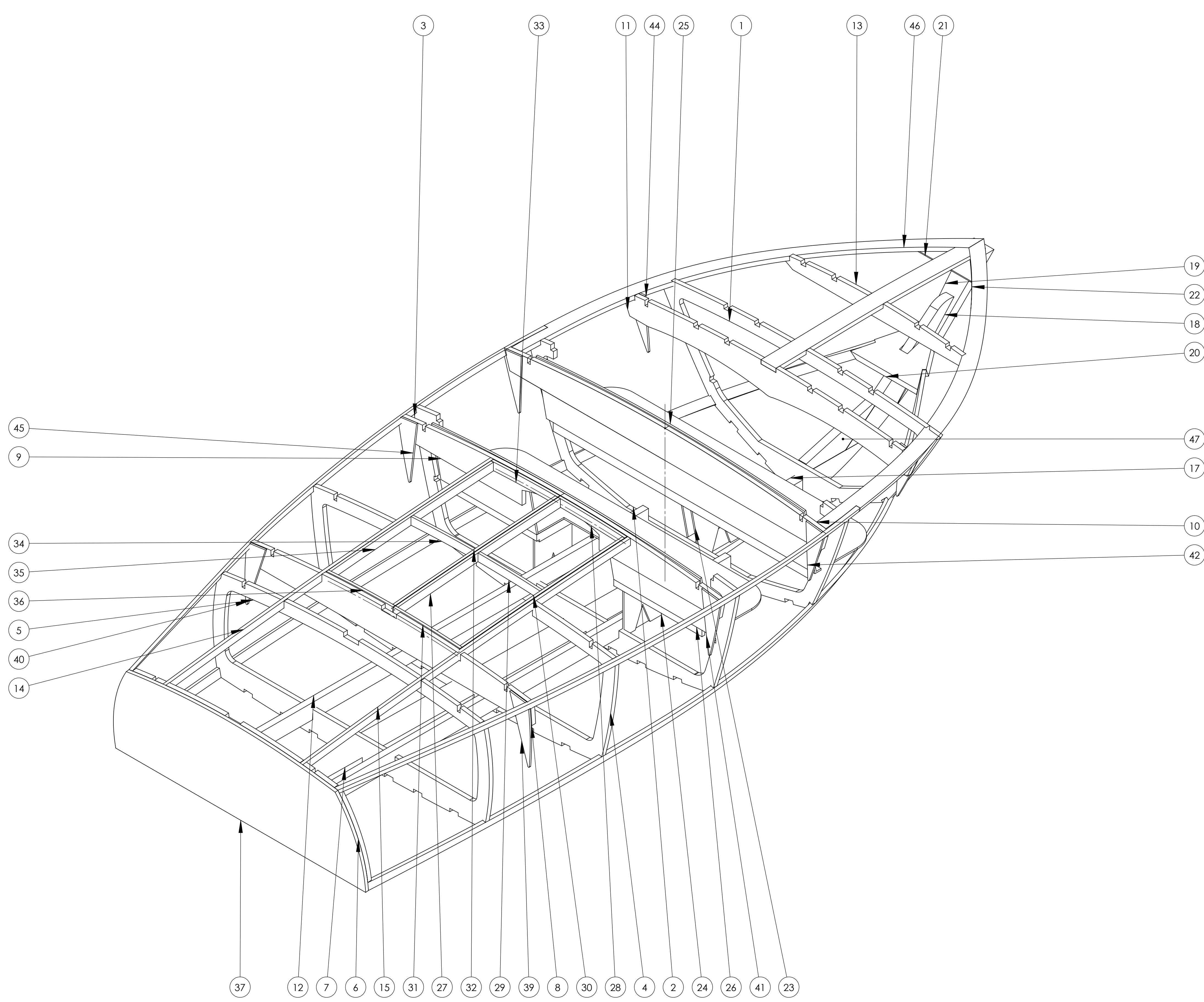
# Riviera 17 Foot



Base Line to Keel points on frame

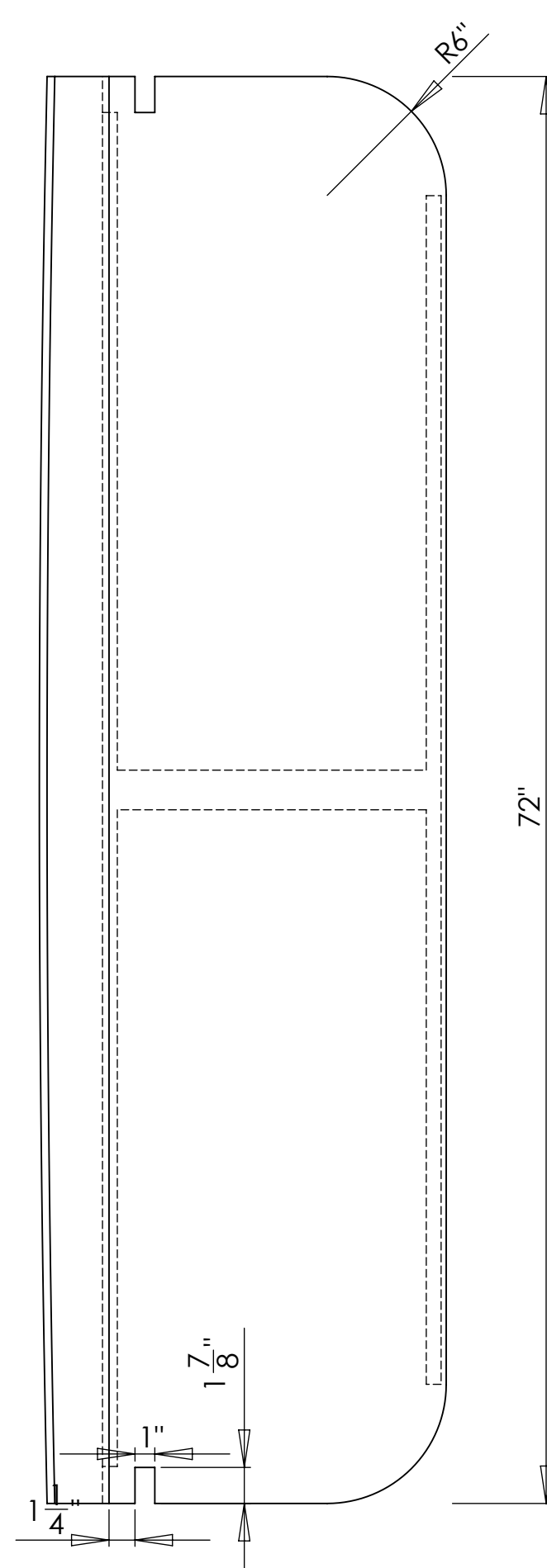
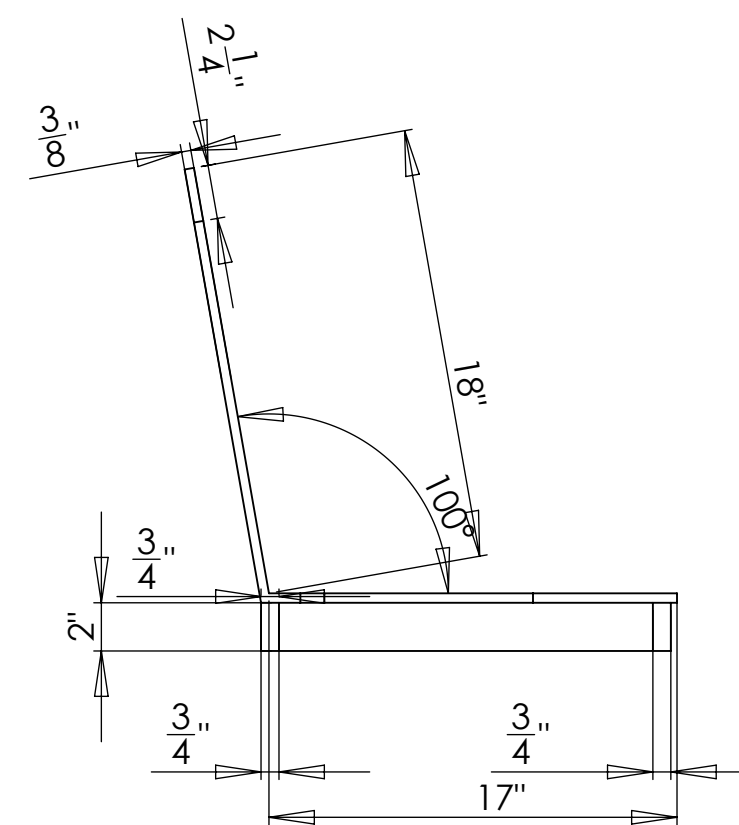
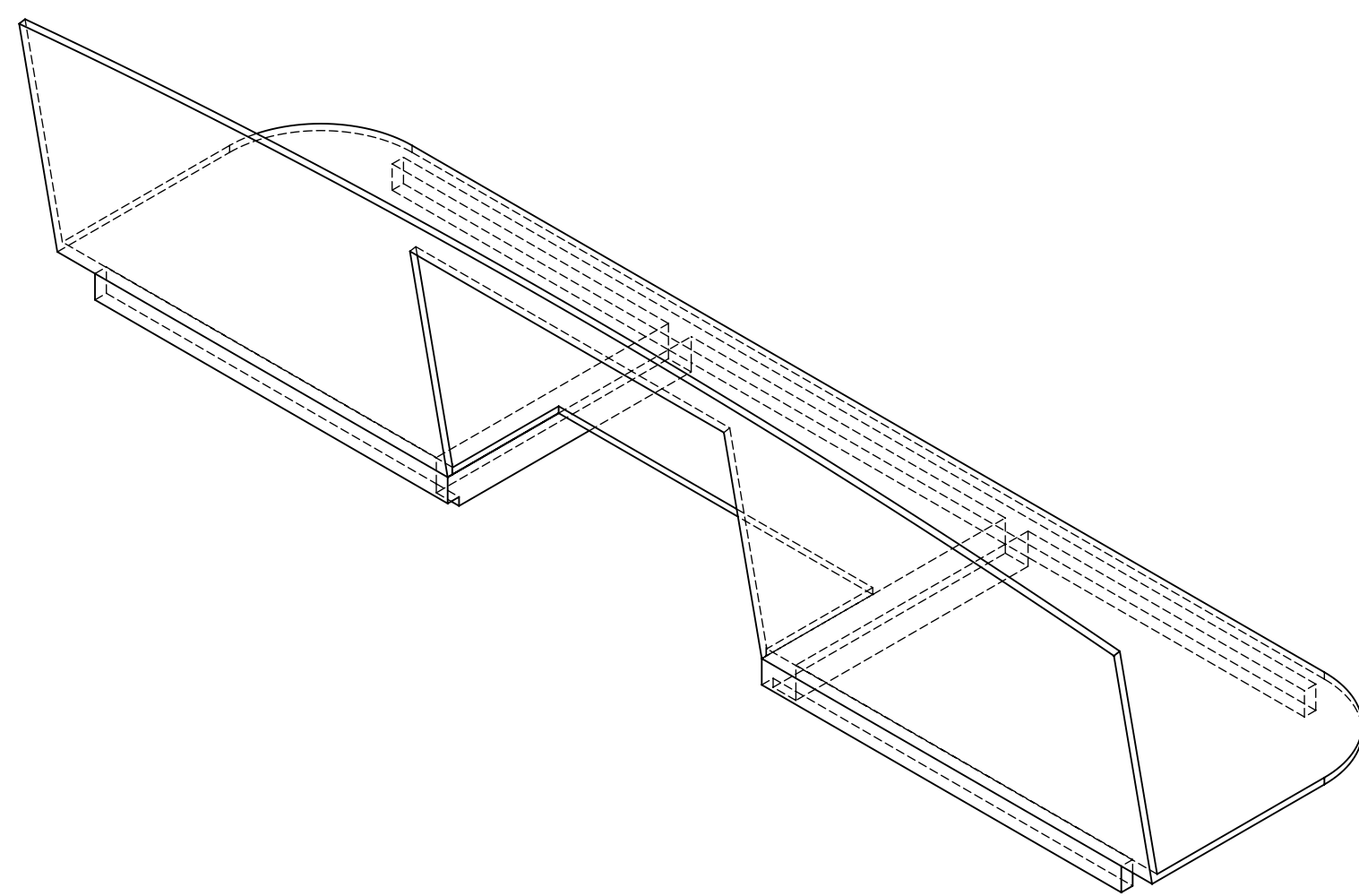
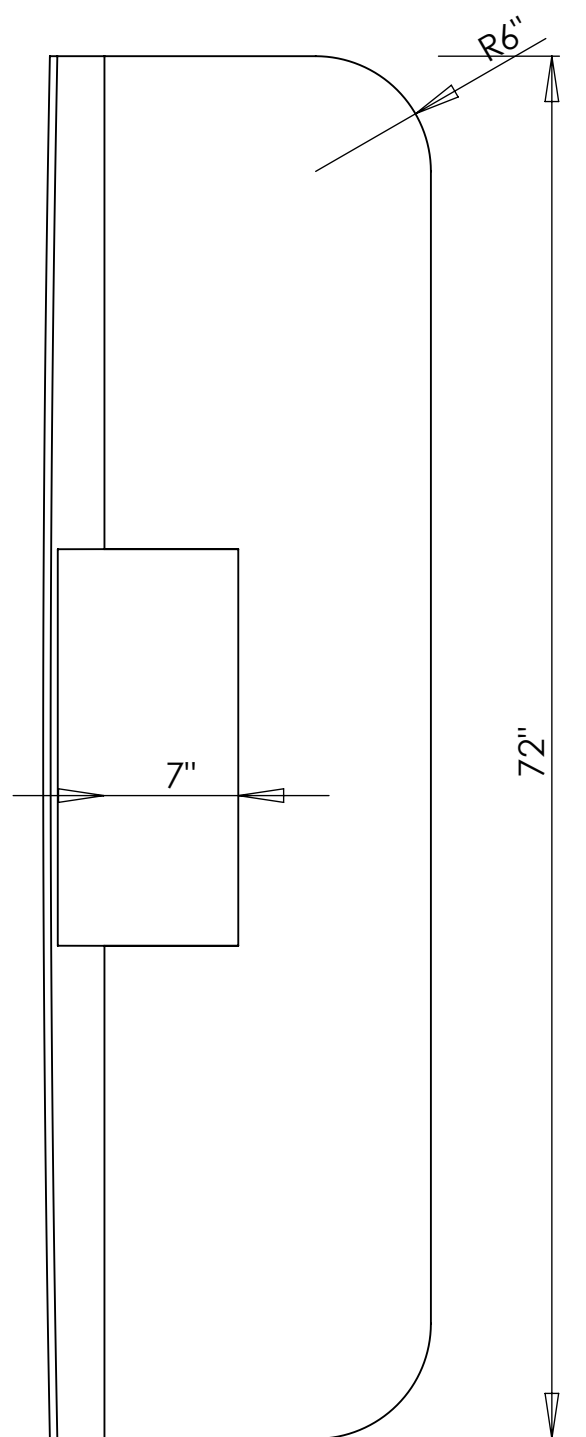
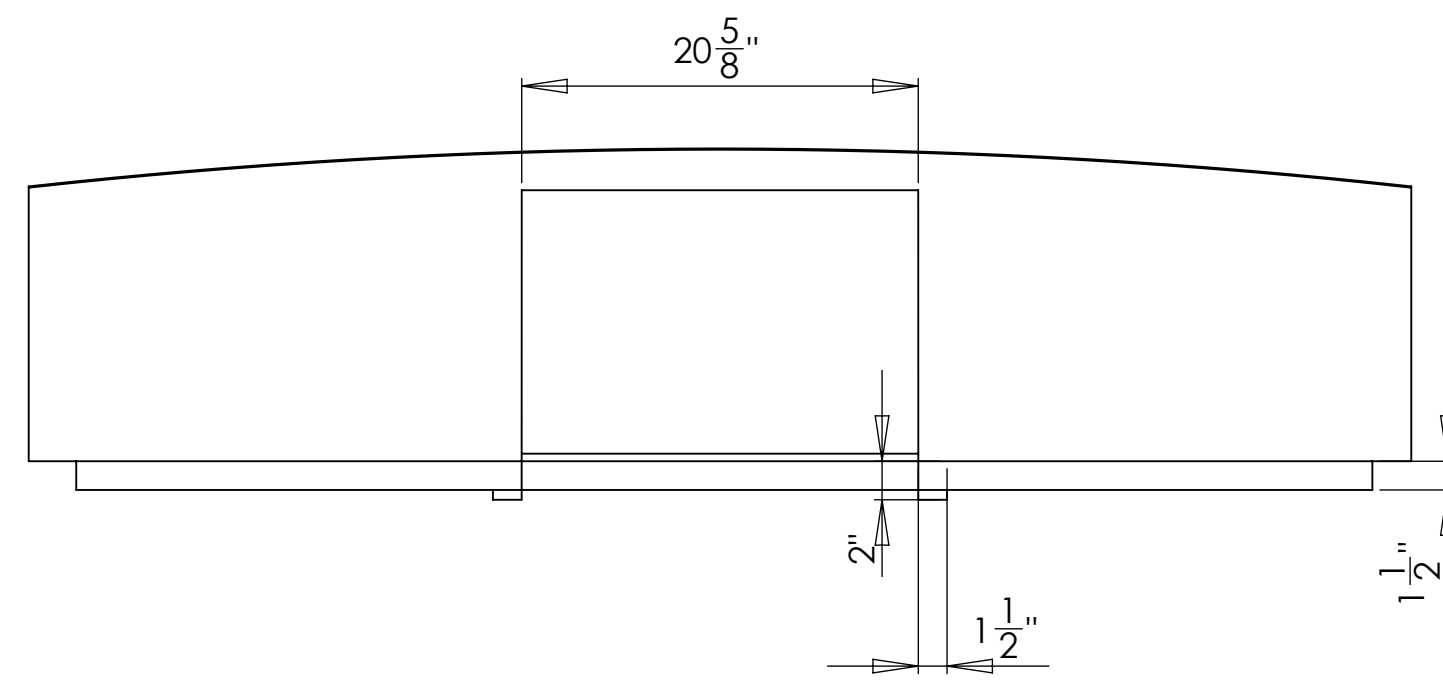
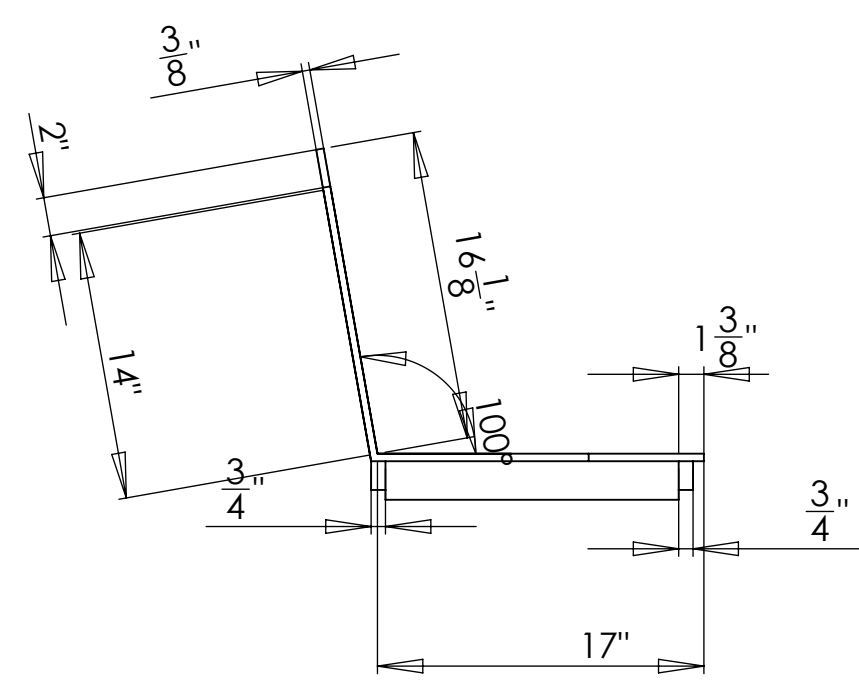


# Riviera 17 Foot



ITEM NO.	PART NUMBER	DESCRIPTION	QTY.
1	Frame 1 R		1
2	Frame 2 R		1
3	Frame 3 R		1
4	Frame 4 R		1
5	Frame 5 R		1
6	Frame 6 R		1
7	Keel Riviera 17		1
8	Deck beam 4a R		1
9	Deck beam 3a R		1
10	Deck beam 2a R		1
11	Deck beam 1b R		1
12	Stringer R		2
13	Deck beam 1a R		1
14	Hatch batten R		1
15	MirrorHatch batten R		1
16	Stem Plan Riviera		1
17	Lower Stem R		1
18	Intermediate Stem R		1
19	Upper Stem R		1
20	Chine Knee R		1
21	Breasthook R		1
22	Side deck batten R		1
23	Fore seat strut R		2
24	Aft seat strut R		2
25	Fore seat R		1
26	Aft seat R		1
27	Hatch side inner R		1
28	Hatch beam 1 R		1
29	Hatch beam 2 R		1
30	Hatch side outer R		1
31	Hatch beam 3 R		1
32	MirrorHatch side inner R		1
33	MirrorHatch beam 1 R		1
34	MirrorHatch beam 2 R		1
35	MirrorHatch side outer R		1
36	MirrorHatch beam 3 R		1
37	Transom outer R		1
38	Transom knee Riviera		2
39	Beam knee 4a R		1
40	MirrorBeam knee 4a R		1
41	Beam Knee 3a R		1
42	Beam Knee 2a R		2
43	Beam Knee 1b R		1
44	MirrorBeam Knee 1b R		1
45	MirrorBeam Knee 3a R		1
46	MirrorSide deck batten R		1
47	Lower Stem knee R		1

Aft Seat assay Riviera



Fore Seat assay Riviera

