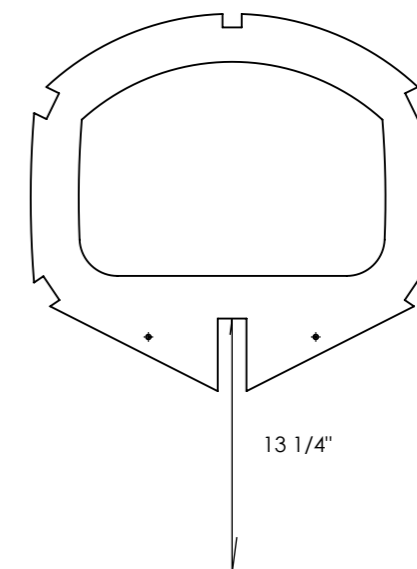
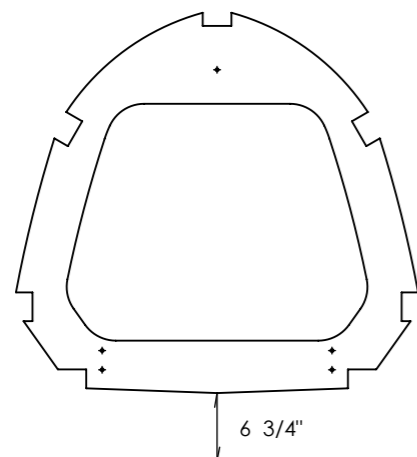


All spacings 1 foot unless indicated

Heights from Base line to keel point of frames

- Frames 15 - 8 all 6 3/4" above base line
- Frames 7, 6, 5 and 4 all 5 3/16" above base line
- Frame 3, 5 9/16"
- Frame 2, 7 3/8"
- Frame 1, 13 1/4 "



| | | | | | | | | | |
|--------------------------------------------------------------|------|-----------|------|-----------------------------------|-----------|----------------------|--|----------------|--|
| UNLESS OTHERWISE SPECIFIED: DIMENSIONS ARE IN MILLIMETERS | | FINISH: | | DEBUR AND BREAK SHARP EDGES | | DO NOT SCALE DRAWING | | REVISION | |
| SURFACE FINISH: | | | | | | | | | |
| TOLERANCES: | | | | | | | | | |
| LINEAR: | | | | | | | | | |
| ANGULAR: | | | | | | | | | |
| | NAME | SIGNATURE | DATE | | | TITLE: | | | |
| DRAWN | | | | | | | | | |
| CHK'D | | | | | | | | | |
| APPV'D | | | | | | | | | |
| MFG | | | | | | | | | |
| Q.A | | | | | MATERIAL: | DWG NO. | | Flyer spacings | |
| | | | | | | SCALE:1:15 | | A3 | |
| | | | | | WEIGHT: | SHEET 1 OF 1 | | | |