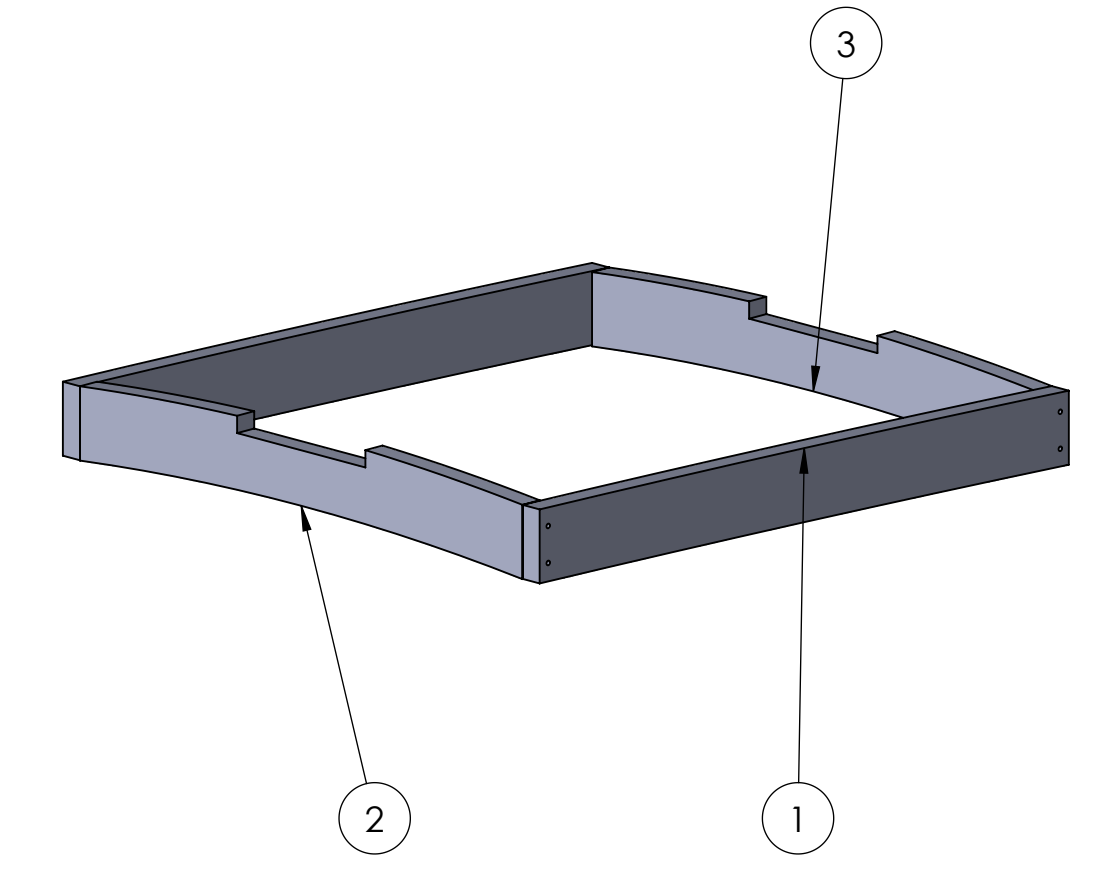
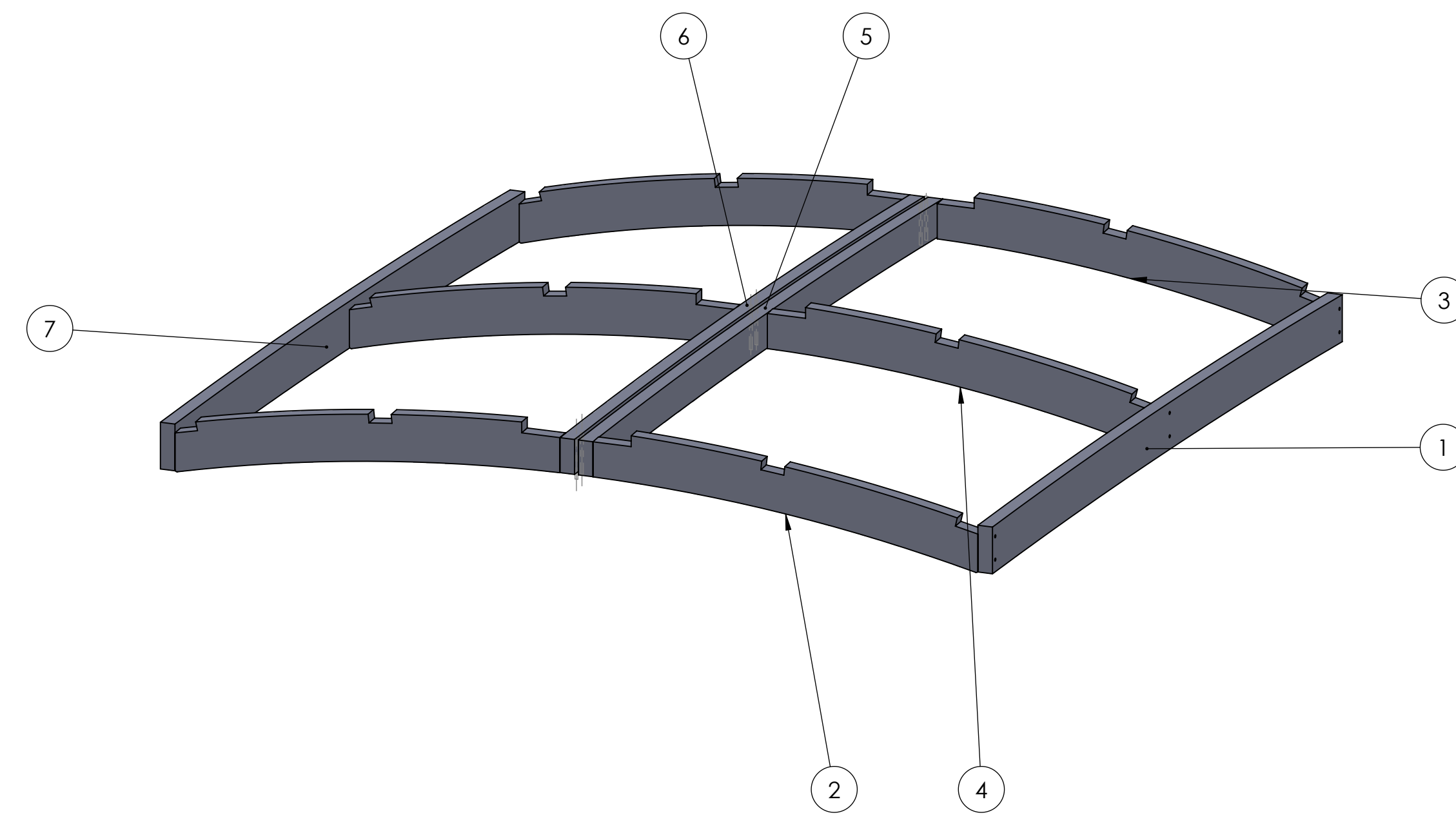


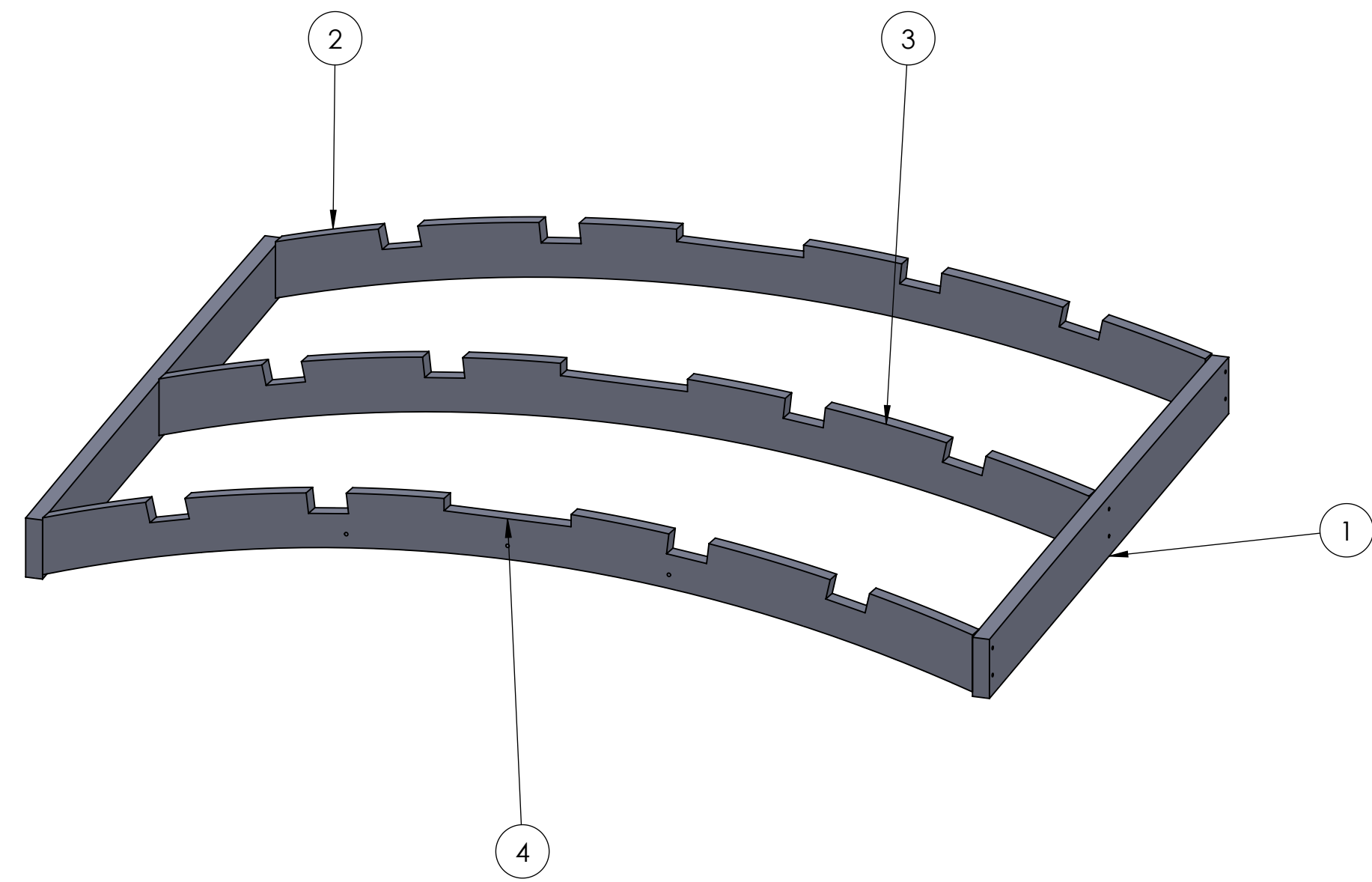
ITEM NO.	PART NUMBER	DESCRIPTION	QTY.
1	Transom Outer 19 1936 SRB* Transom Assembly 19 1936 SRB		1
2	Transom lower 19 1936 SRB		1
3	Lower transom guide SRB		1
4	Transom Stringer upright SRB		2
5	Transom Side SRB		1
6	Transom Side Mirrored SRB		1
7	Transom Top Frame SRB		1
8	Transom Upright SRB		1
9	Upper transom guide SRB		1

ITEM NO.	PART NUMBER	DESCRIPTION	QTY.
1	Hatch engine outer side SRB		1
2	Hatch engine forward beam SRB		2
3	Hatch engine aft beam SRB		2
4	Hatch engine mid beam SRB		2
5	Hatch engine inner side SRB		1
6	MirrorHatch engine inner side SRB		1
7	MirrorHatch engine outer side SRB		1

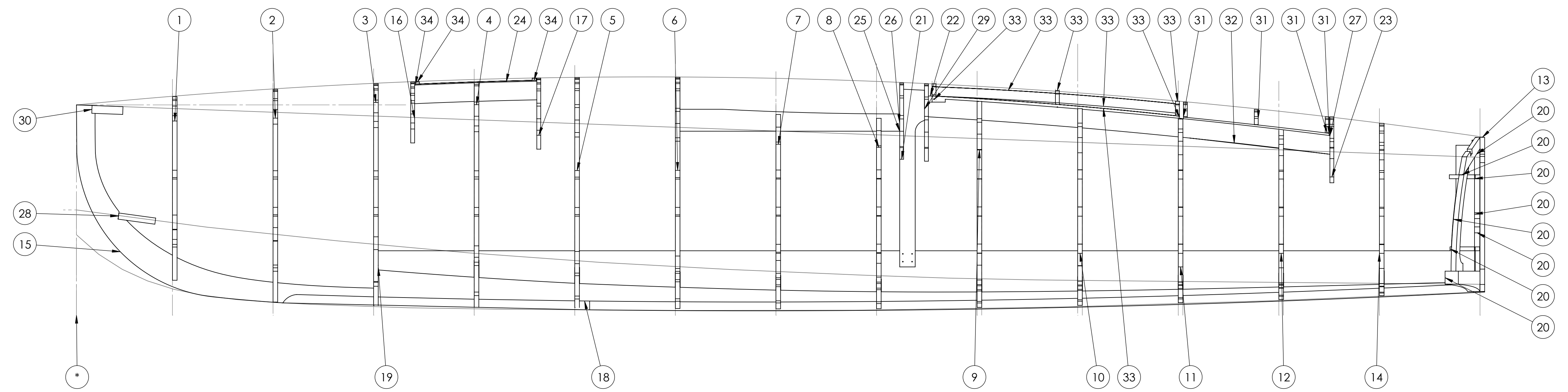
ITEM NO.	PART NUMBER	DESCRIPTION	QTY.
1	Hatch forward side beam SRB		2
2	Hatch forward rear beam SRB		1
3	Hatch forward front beam SRB		1



ITEM NO.	PART NUMBER	DESCRIPTION	QTY.
1	Hatch rear side beam SRB		2
2	Hatch rear forward beam SRB		1
3	Hatch rear mid beam SRB		1
4	Hatch rear aft beam SRB		1



ITEM NO.	PART NUMBER	DESCRIPTION	QTY.
1	Frame 1 1936 SRB		1
2	Frame 2 1936 SRB		1
3	Frame 3 1936 SRB		1
4	Frame 4 1936 SRB		1
5	Frame 5 1936 SRB		1
6	Frame 6 1936 SRB		1
7	Frame 7 1936 SRB		1
8	Frame 8 1936 SRB		1
9	Frame 9 1936 SRB		1
10	Frame 10 1936 SRB		1
11	Frame 11 1936 SRB		1
12	Frame 12 1936 SRB		1
13	Frame AP 1936 SRB		1
14	Frame 13 1936 SRB		1
15	Stem CC 1936 SRB		1
16	Deck Beam 3A 1936 SRB		1
17	Deck Beam 4A 1937 SRB		1
18	Keel CC 1936 SRB		1
19	Stringer CC 1936 SRB		2
20	Transom Assembly 19 1936 SRB		1
21	Deck Beam 8A SRB		1
22	Deck Beam 8B SRB* Assm		1
23	Deck Beam 12 A SRB		1
24	Forward hatch coaming SRB		2
25	Cockpit coaming SRB		1
26	Cockpit coaming mirrored SRB		1
27	Engine bay trimmer SRM		2
28	Chine hook SRB		1
29	Upright Support deck beam 8 SRB		2
30	Breasthook SRB		1
31	Hatch rear SRB		1
32	Hatch rear side header SRB		1
33	Hatch engine bay SRB		1
34	Hatch forward SRB		1



UNITS: DIMENSIONS SPECIFIED: INCH DIMENSIONS ARE IN MILLIMETERS CONVERSION: UNITS: INCHES ANGLES: ANGLES	INCH	DESK AND BENCH SWAP DRAW	DO NOT SCALE DRAWING	REVISION
NAME	SIGNATURE	DATE	TITLE:	
DRAWN BY:			Assemblies & Layout 19 1936 SRB	
APPROVED BY:			DWG NO:	AO
SCALE: 1:1			SHEET 1 OF 1	