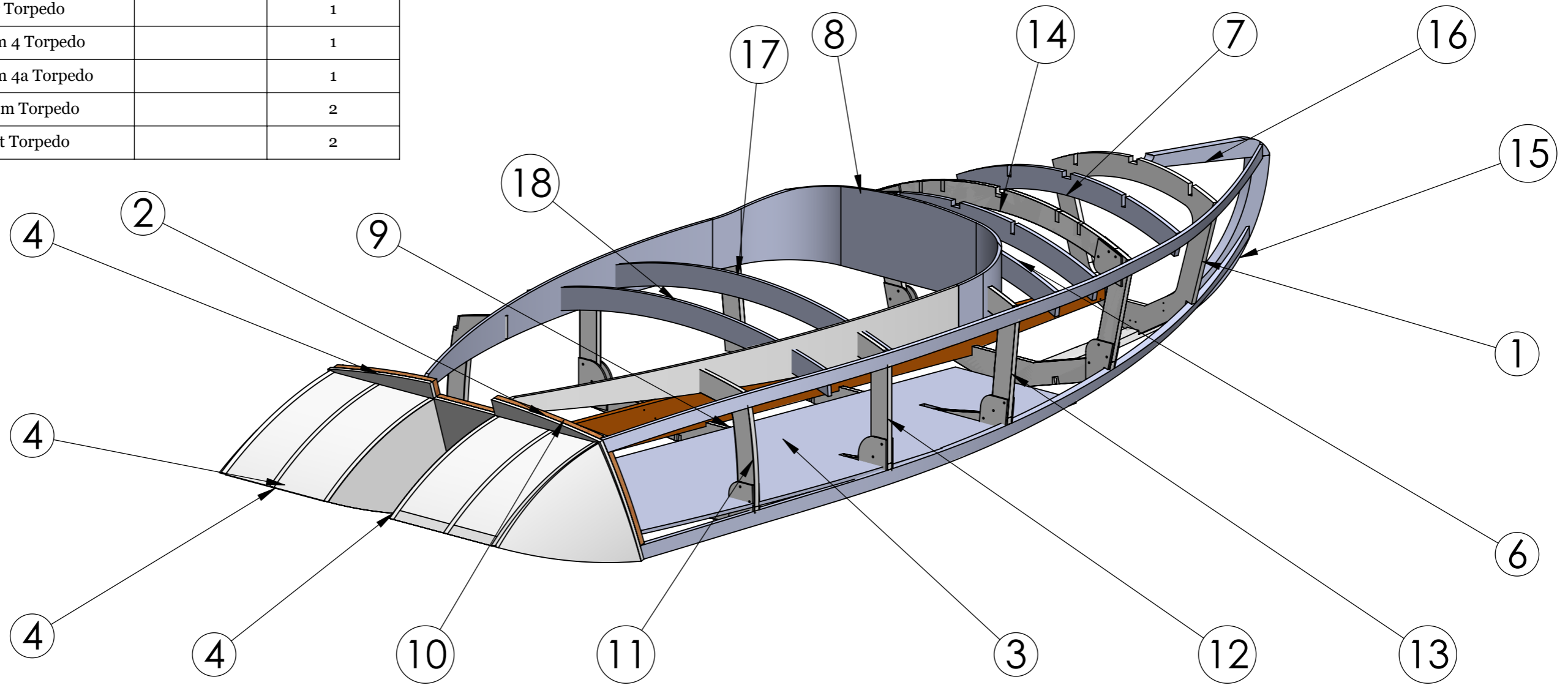
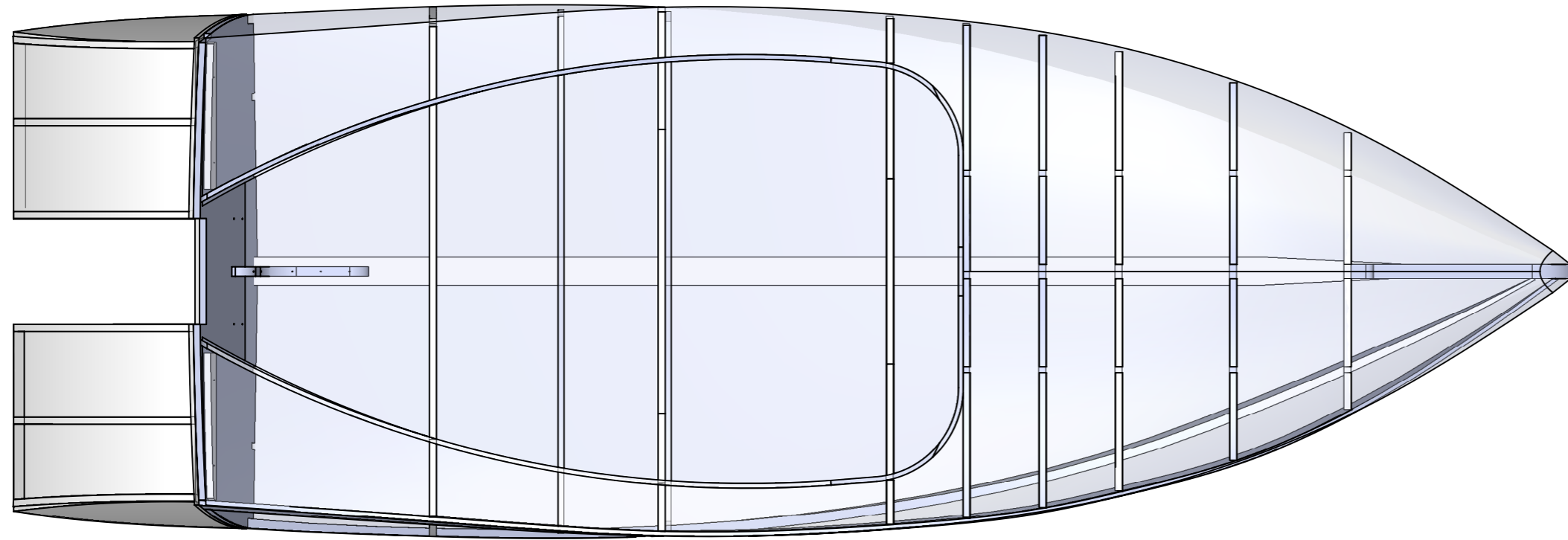
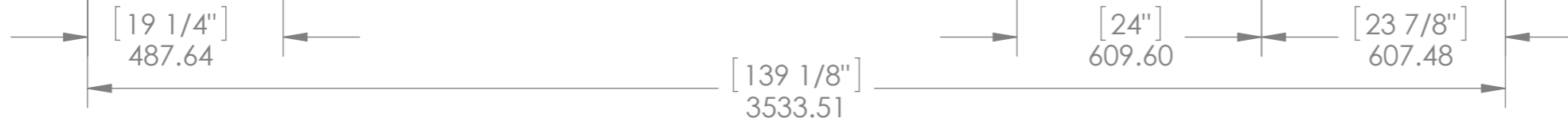
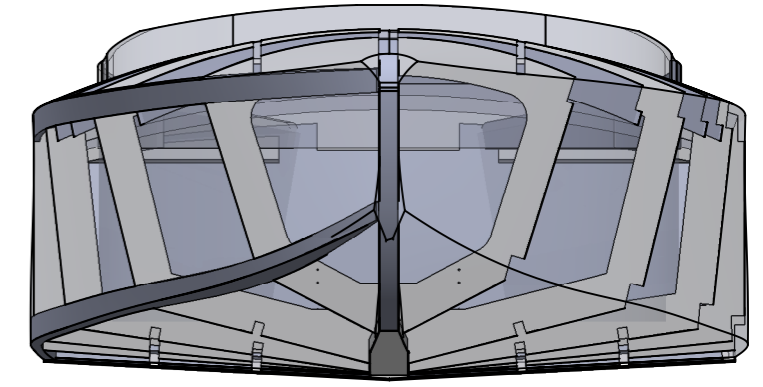
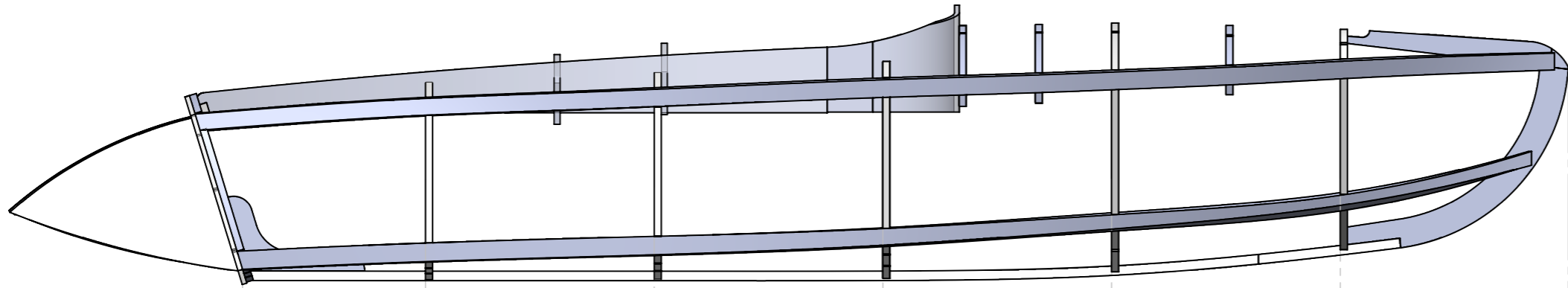


BOM Table			
ITEM NO.	PART NUMBER	DESCRIPTION	QTY.
1	FR 1		1
2	FR 6		1
3	Keel Torpedo		1
4	Tail assy		1
5	Transom knee torpedo		1
6	Deck beam dash torpedo		1
7	Deck beam 1.5		1
8	Deck beam 2.5		1
9	Floor Torpedo		1
10	Transom deck beam		2
11	FR 5		1
12	FR 4		1
13	FR 3		1
14	FR 2		1
15	Stem Torpedo		1
16	Nose filler Torpedo		1
17	Deck Beam 4 Torpedo		1
18	Deck Beam 4a Torpedo		1
19	Set up beam Torpedo		2
20	Jig upright Torpedo		2



UNLESS OTHERWISE SPECIFIED: DIMENSIONS ARE IN MILLIMETERS SURFACE FINISH: TOLERANCES: LINEAR: ANGULAR:		FINISH:	DEBUR AND BREAK SHARP EDGES	DO NOT SCALE DRAWING	REVISION
DRAWN	NAME	SIGNATURE	DATE	TITLE:	
CHK'D					
APPV'D					
MFG					
Q.A				MATERIAL:	DWG NO.
					<b>Torpedo</b>
				WEIGHT:	A3
				SCALE:1:1	SHEET 1 OF 2



UNLESS OTHERWISE SPECIFIED: DIMENSIONS ARE IN MILLIMETERS SURFACE FINISH: TOLERANCES: LINEAR: ANGULAR:				FINISH:		DEBUR AND BREAK SHARP EDGES		DO NOT SCALE DRAWING		REVISION	
DRAWN				NAME		SIGNATURE		DATE		TITLE:	
CHK'D											
APPV'D											
MFG											
Q.A								MATERIAL:		DWG NO.	
								WEIGHT:		SCALE:1:15	
										SHEET 2 OF 2	

Torpedo

A3